

SIDE TABLE || INSIKA

DESCRIPTION

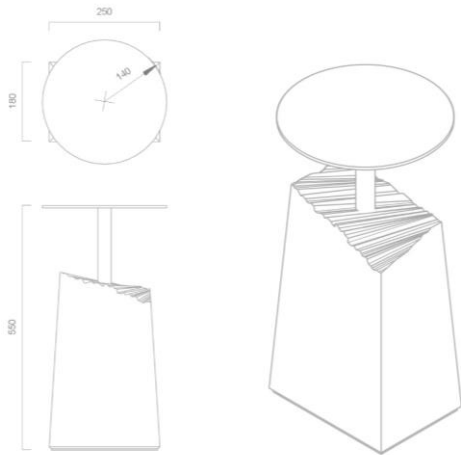
Hand-carved natural stone base with oxidised metal top.
The finishes of this piece are customizable.

All pieces are made-to-order. Orders take approximately 6-8 weeks upon receipt of order excluding shipment and delivery.

DIMENSIONS

550H x 280Ø x 280W

DRAWINGS



FINISHES

Top



Materials subject to availability

Base



Materials subject to availability

NOTES

Natural Stone:

Our natural stone items showcase beautiful variations in colour, pattern, and texture, as they are sourced directly from nature. These inherent characteristics are unique to each piece, reflecting the authentic qualities of the stone. Customers should appreciate the individuality that these variations bring, as they contribute to the distinctive charm of every natural stone item. Additionally, proper regular care and maintenance are essential to ensure the longevity and continued beauty of your natural stone product.

Metal:

Our metal items, crafted with precision, may develop a patina over time. This natural aging process enhances the character of the metal, resulting in variations in colour and texture. Customers can anticipate the evolution of their metal items, appreciating the subtle changes that contribute to the enduring appeal of the material. Proper regular care and maintenance will ensure the continued beauty and structural integrity of your metal product.